

BY LAURIE MCCOWAN

# Pocket Sliders Go All the Way at the Wilshire Grand

*Cavity Sliders developed a customized solution to install full-height pocket sliding doors in guest rooms throughout a large hotel.*



The Cavity Slider System allows the pocket door to run full height, from floor to ceiling.

The cultural and economic revival of downtown Los Angeles has seen some new silhouettes appear on its ever-evolving skyline. Perhaps the most significant is the Yosemite-inspired half dome and spire of the Wilshire Grand. Towering at 73 stories, this world-class skyscraper sits a nudge taller than anything else west of the Mississippi.

Surprisingly, with a Michelin star restaurant and rooftop garden, the part of this project that the owner, Korean Air, is most proud of are the sliding door systems in the hotel guest rooms and suites. The Intercontinental operates 889 hotel rooms on the premises designed by AC Martin Architects and built by Turners Construction.

There has been a recent trend with contemporary fit outs to incorporate full height detail into the door openings. In layman terms, this is a door opening design that allows the door to run full height, from floor to ceiling. With pocket doors especially, this creates an ultra-clean aesthetic. When the doors are open and sit flush with the split jambs, it can appear as if there is no door at all.

## PROBLEM

Correctly achieving this detail requires recessing the sliding track into the ceiling and raising the position of the ceiling stud to which the track is fixed. Previously, Division 08 installers and drywallers have used standard box tracks and site-fabricated shims to allow the drywall of the ceiling to butt in and sit flush with the base of the track. Unfortunately, when installing 2,000 openings, this becomes a labor-intensive and cumbersome process that lacks precision and in turn can lead to a finished detail that is less than desired.

## SOLUTION

Brainstorming with RPG Enterprises, the contract hardware distributor and installer for the project, Turners Construction and AC Martin, we came up with a standard system to maximize installation efficiencies while ensuring a clean finished detail. The design involved introducing drywall fixing flanges into the track profile. This created a consistent dimension and therefore a flush finish for the drywall to tuck into the base of the track.

Cavity Sliders had an existing product designed for residential use that involved a wooden fixing block for drywall fixture. However, the Wilshire Grand is Type 1 construction, so our existing product would not meet the requirements of the International Building Code. It is prohibited to have combustible materials within the walls or above ceiling linings for fire-safety reasons, and so we solved the problem by deciding to use an aluminum profile.

In addition to the clean finish, the Cavity Sliders system allows easy access should maintenance staff ever need to remove the door leaves.

John Shaputis from RPG Enterprises noted, "The CS spring-loaded mount plates made for simple installation and removal of the doors when required. I just wish I knew about the soft close when we drew this up."

As a result of the Wilshire Grand project and the subsequent product we developed, the FH Ceiling Mount Track has now become a standard offering for Cavity Sliders. The product is available for single, double and triple applications and can be coupled with our soft close and collection systems.

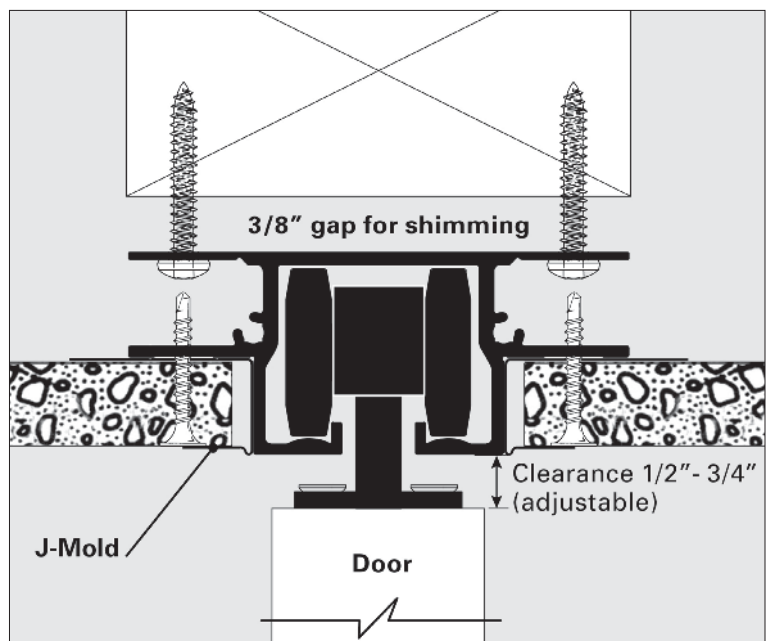
It is often the details and demands of certain projects that drive new product development. At Cavity Sliders, we pride ourselves on our innovation, agility and expertise to turn around designs for implementation in a timely manner. +



**LAURIE MCCOWAN** is the co-founder and vice president of sales and marketing of Cavity Sliders USA Inc. Cavity Sliders was established six years ago in the United States and originated in New Zealand and Australia where the company has been perfecting its pocket doors for 35 years. Phone: 310-890-6970. Email: laurie.mccowan@cavitysliders.com.



The Cavity Slider System also allows easy access for maintenance.



The FH Ceiling Mount Track has an aluminum profile so it is non-combustible.