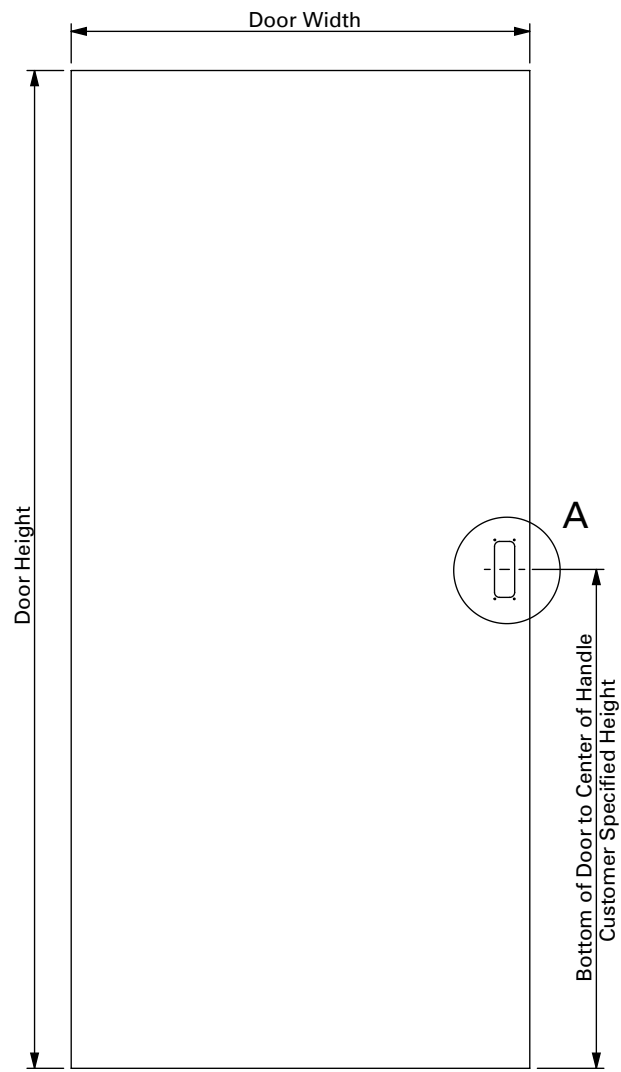
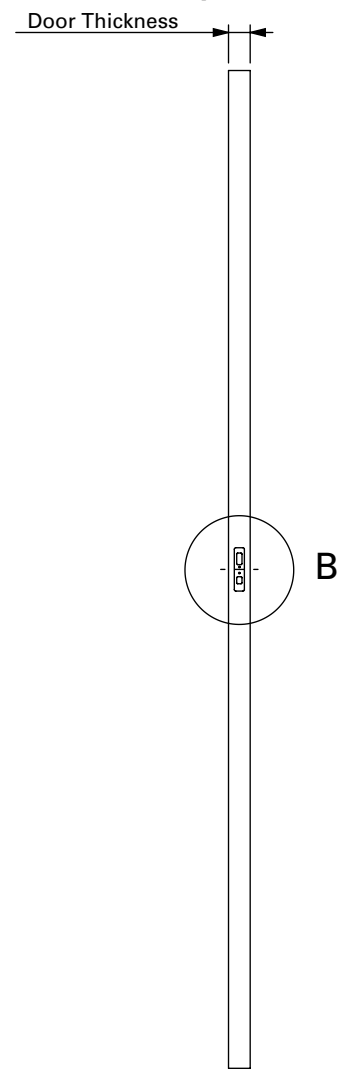


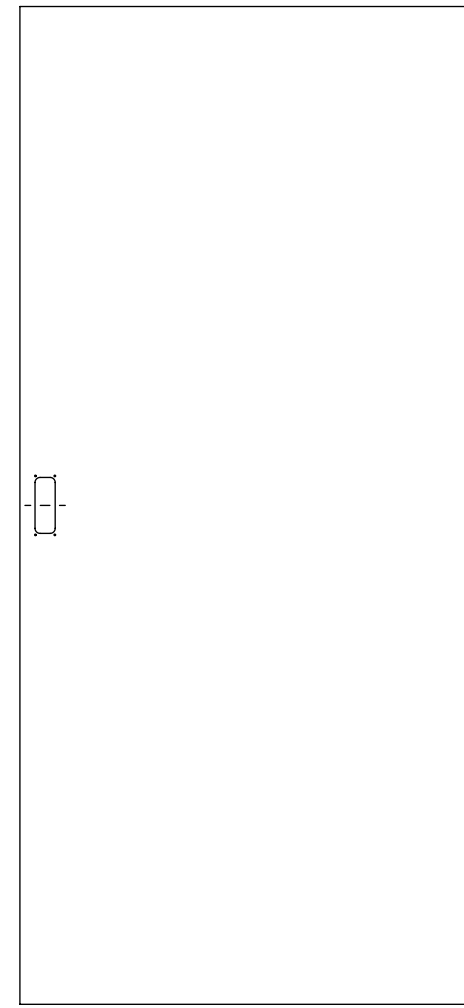
Louey Side Pull with Timber Edge Pull Machining Detail



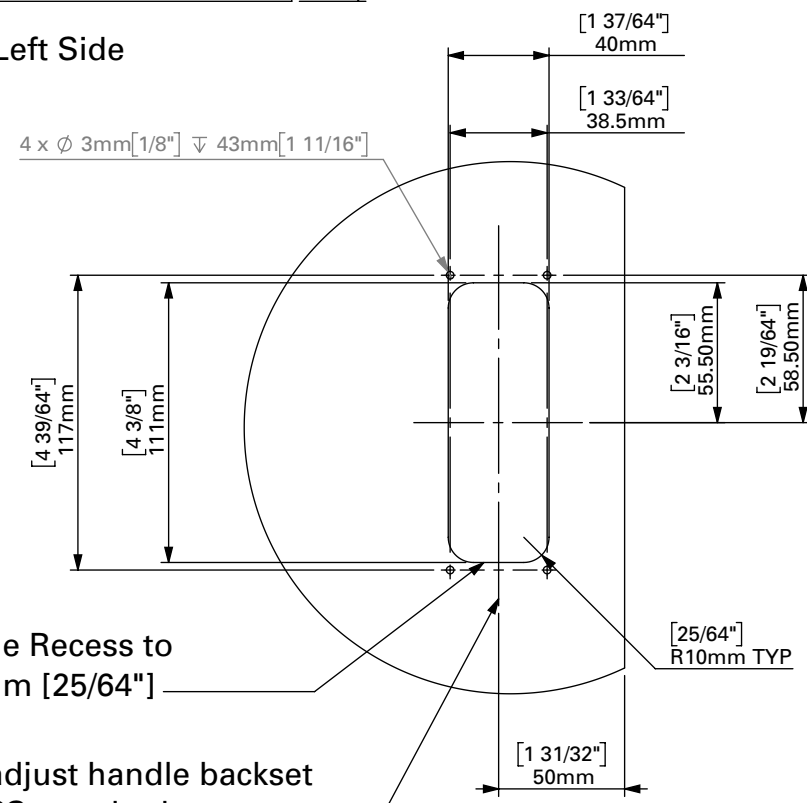
Left Side



B



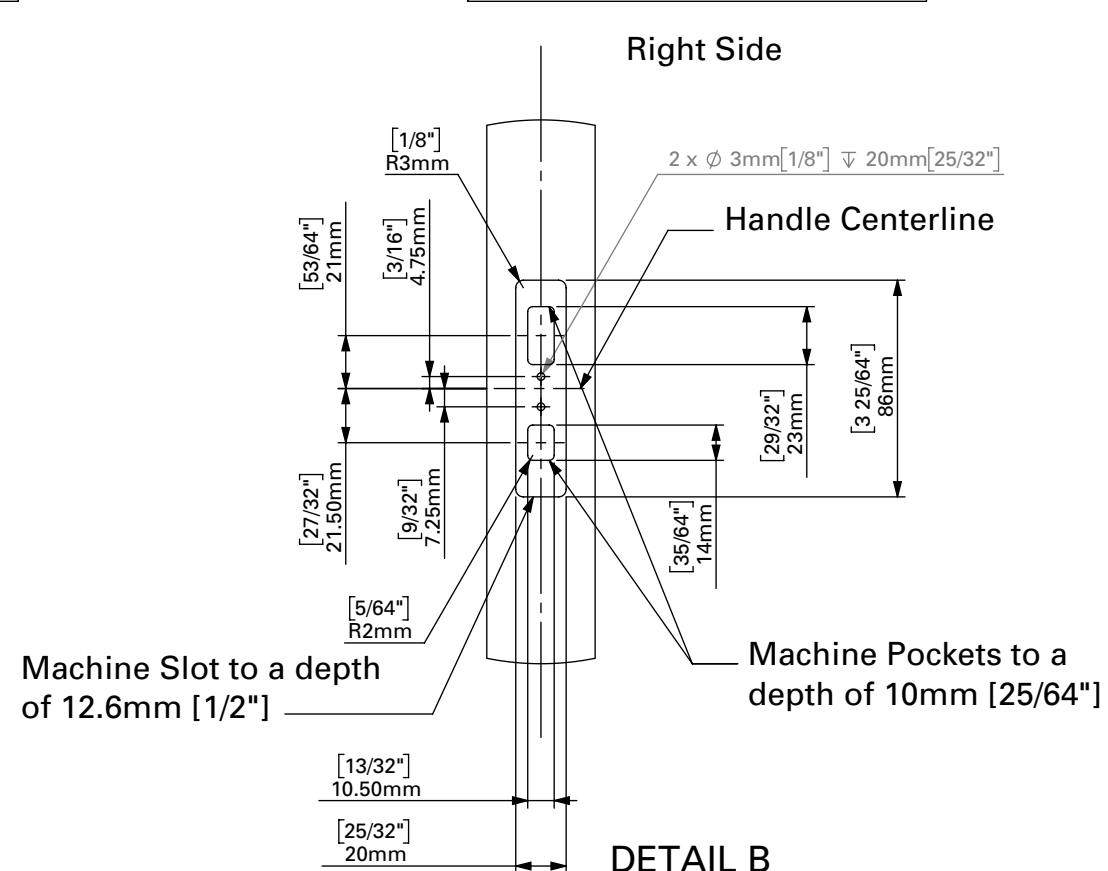
Right Side



Machine Handle Recess to a depth of 10mm [25/64"]

Customer can adjust handle backset distance from CS standard

DETAIL A
SCALE 1 : 3



Machine Slot to a depth of 12.6mm [1/2"]

Machine Pockets to a depth of 10mm [25/64"]

DETAIL B
SCALE 1 : 3