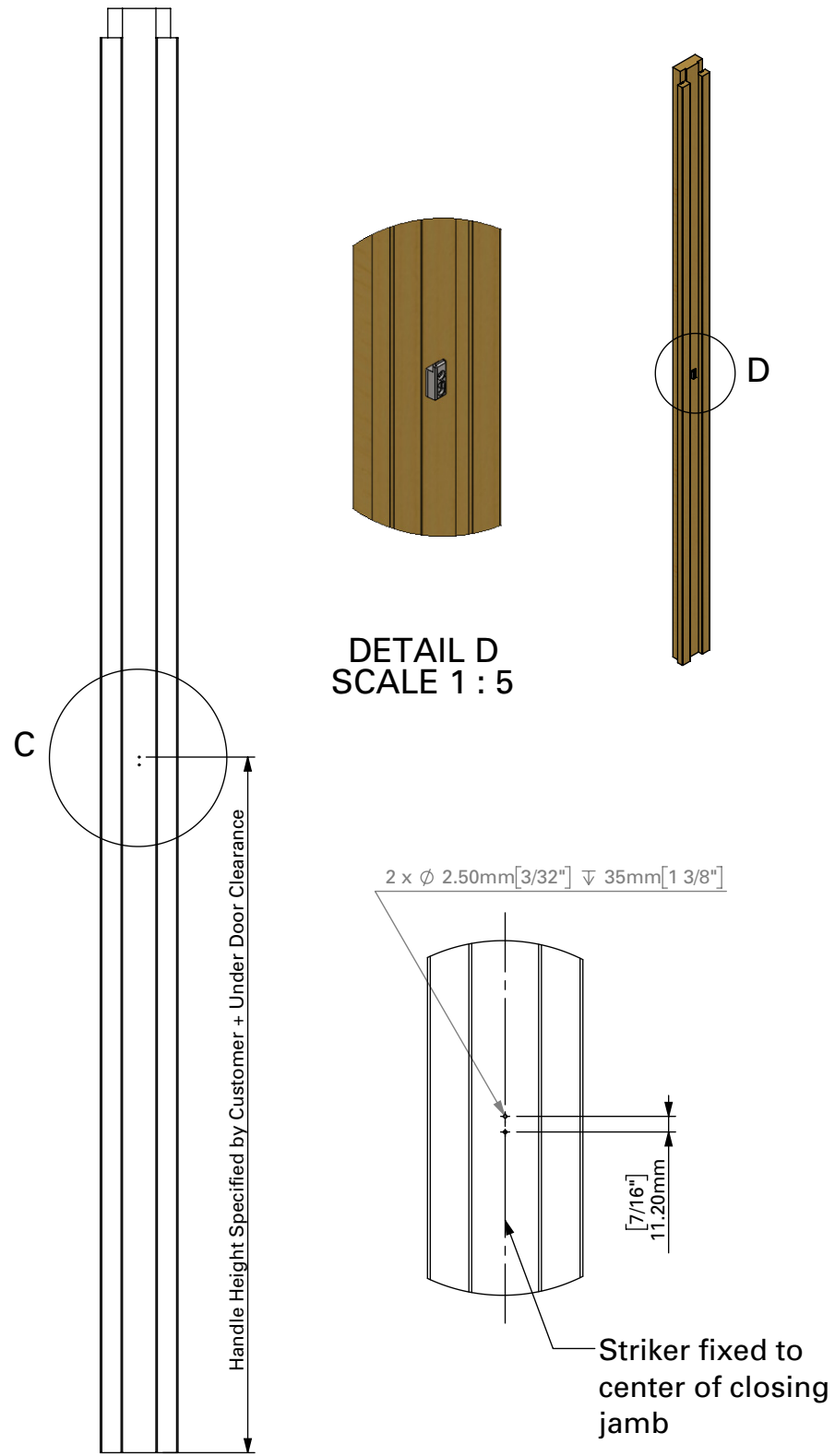


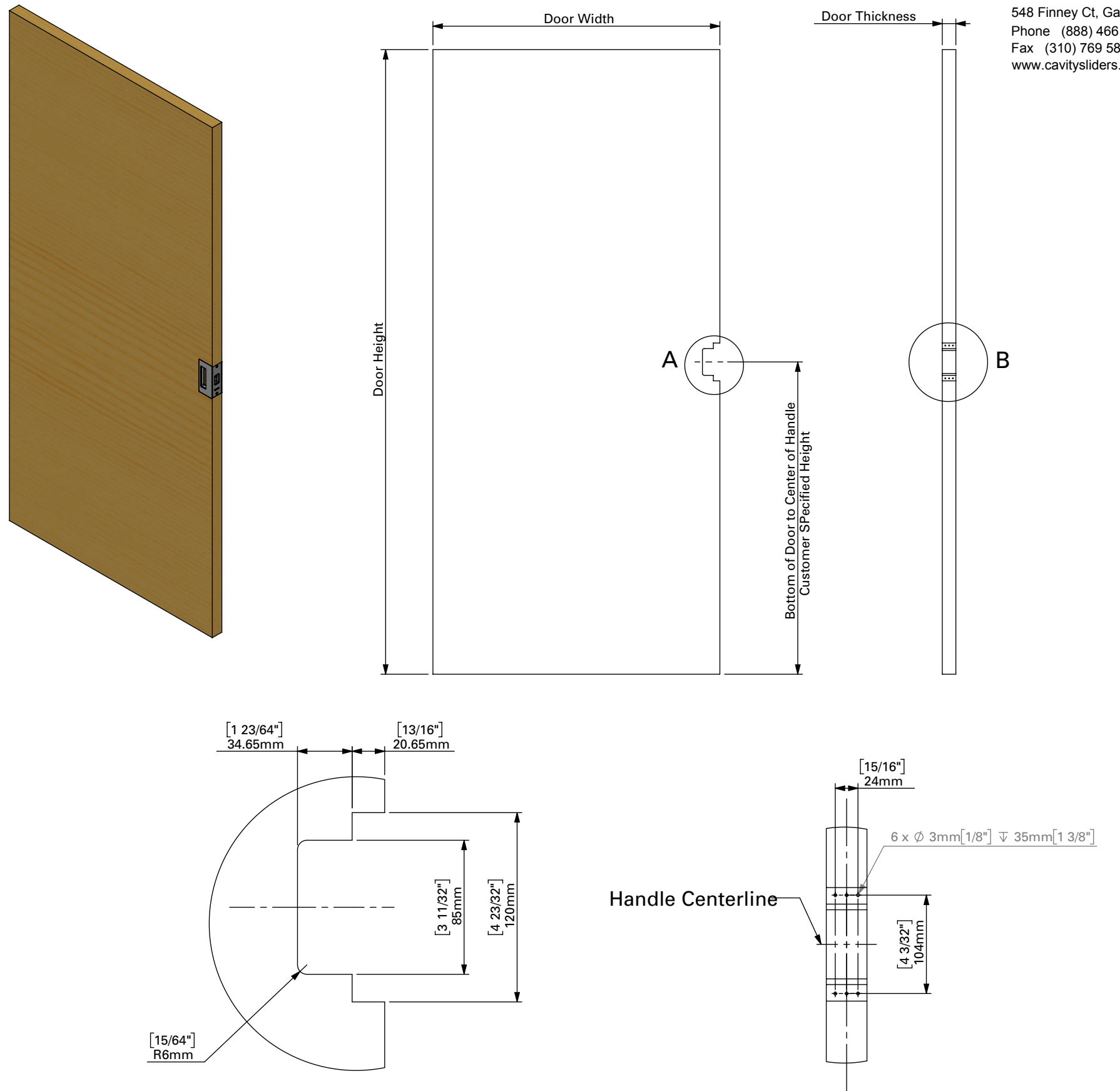
CL205 Striker Machining Detail



DETAIL D
SCALE 1 : 5

DETAIL C
SCALE 1 : 5

CL205 Handle Machining Detail



DETAIL A
SCALE 1 : 3

DETAIL B
SCALE 1 : 5