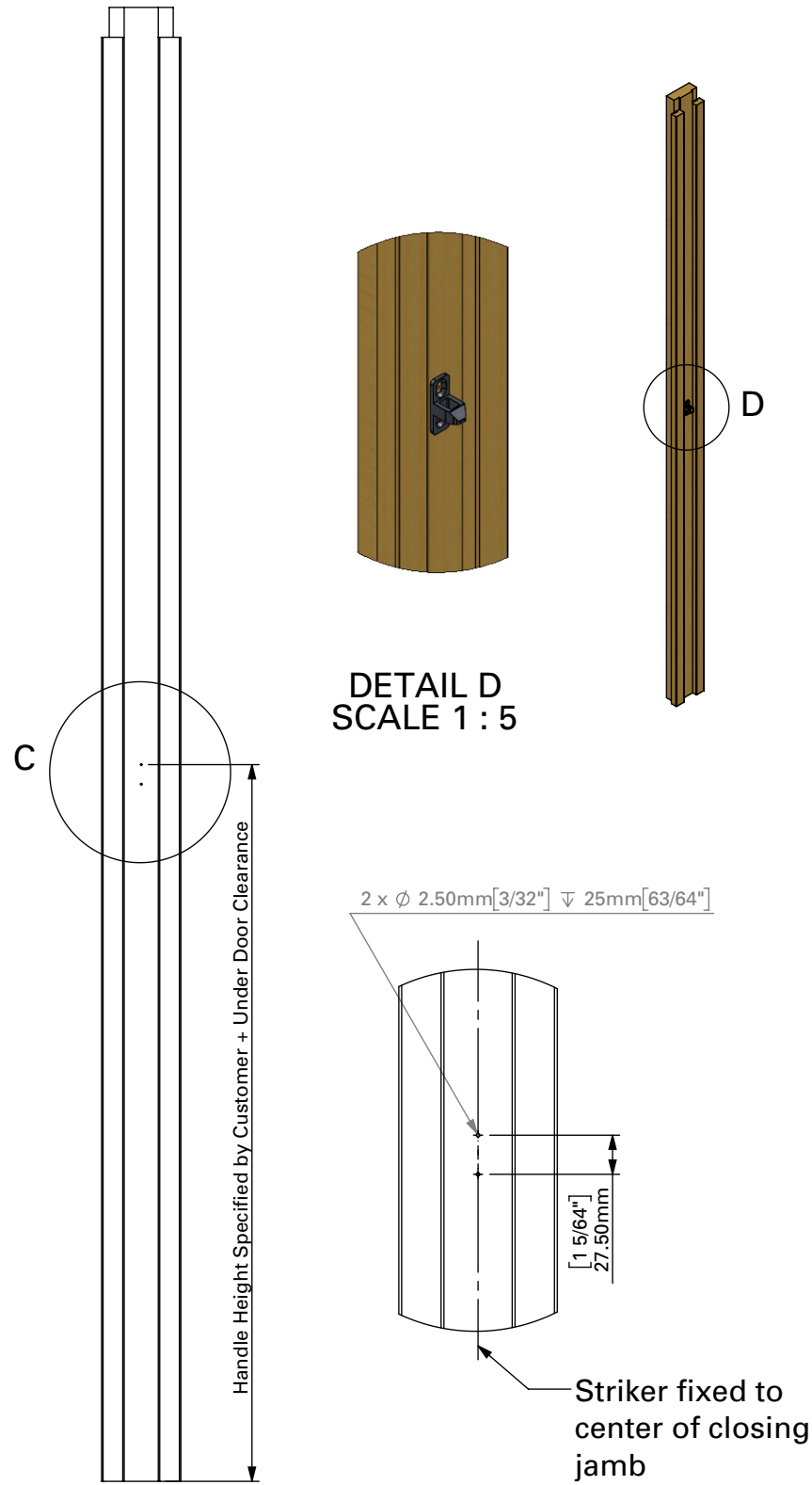


CL100 Striker Machining Detail

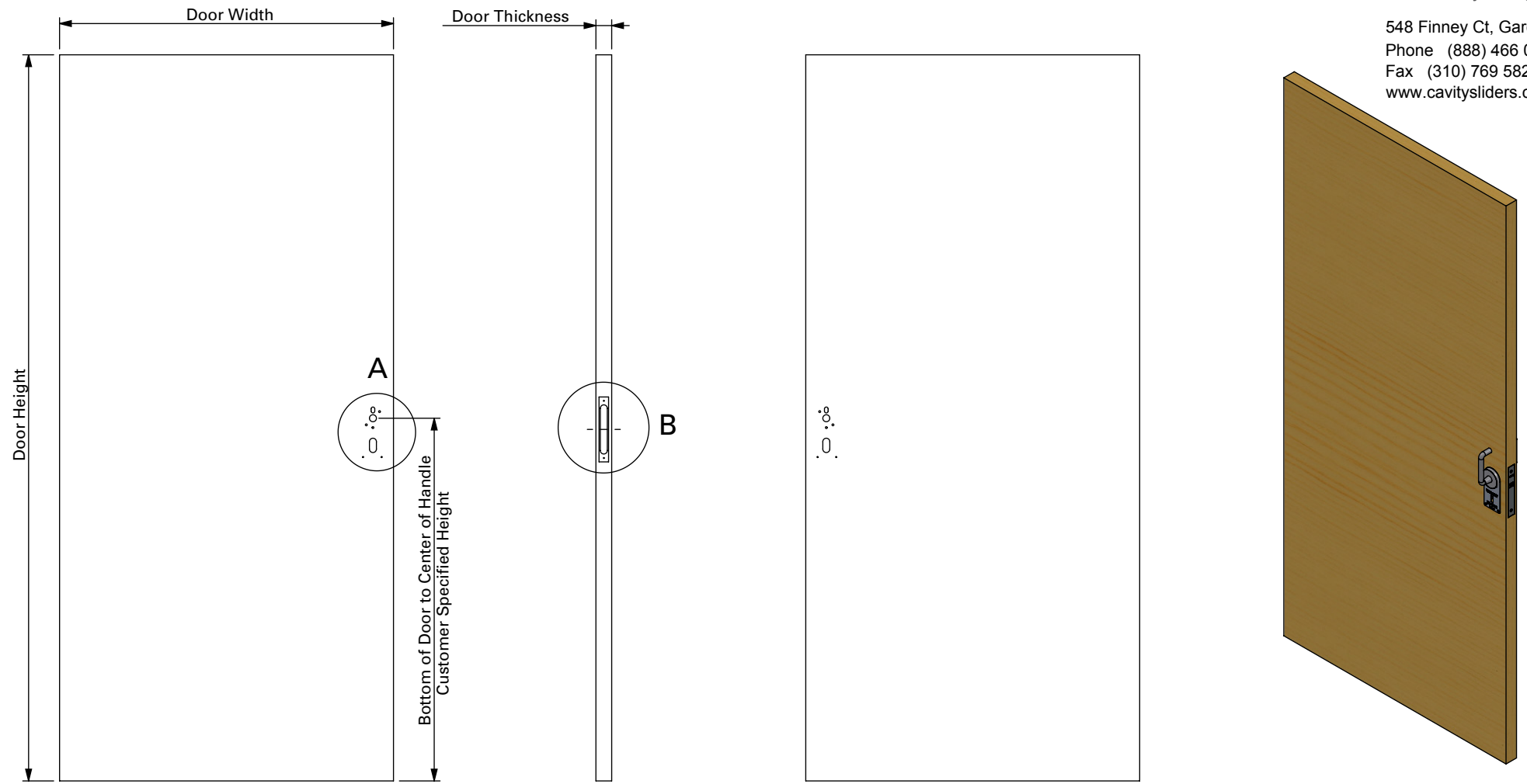


DETAIL D
SCALE 1 : 5

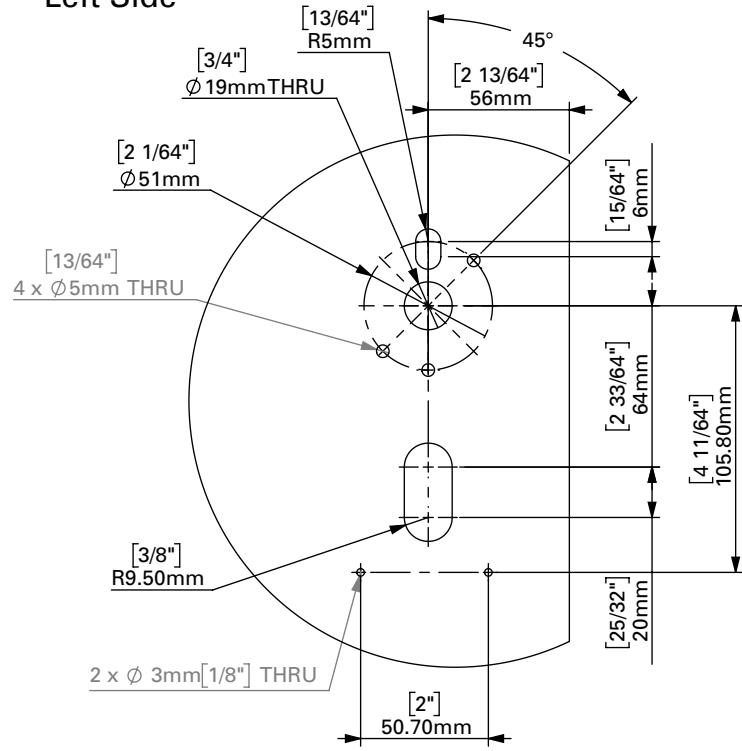
DETAIL C
SCALE 1 : 5

CL100 Indicator Handle Machining Detail

Works for: CL100B3015 / CL100B3016

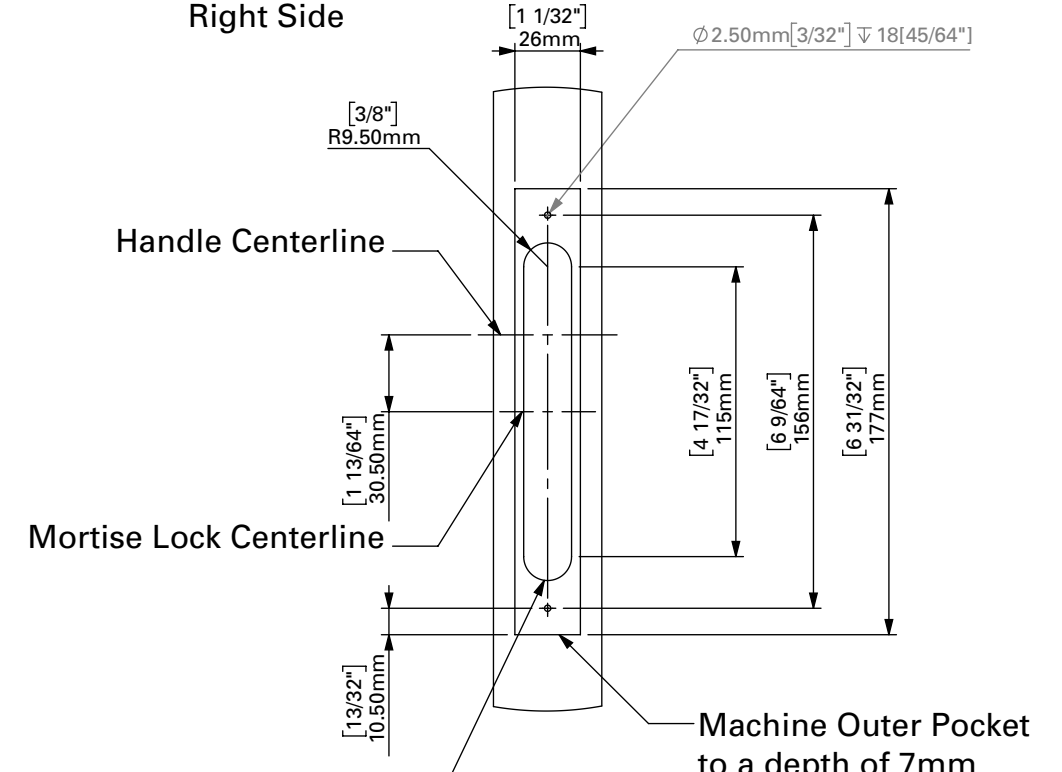


Left Side



DETAIL A
SCALE 1 : 3

Right Side



DETAIL B
SCALE 1 : 3