

AutoCav™ Residential - Confirmation Form

The following information is required before manufacture of your unit can begin.
Please check / fill out as many details as possible and email back to us. (ONE DOOR PER FORM)

1 Job / Door Details

Job name _____

CS Ref: **S** _____

Door location _____

Unit type:

- Pocket frame Wall mounted
 Track/Head Only (choose fixing detail below)
 See **Fixing for Track/Head Only Units** for more info. If none of the fixing details are suitable, send a detailed PDF or DWG)

Track/Head Only Fixing Detail:

- Top mounted Wall mounted

Stud Size:

- 3½ or 3⅝" (90mm) 5½" (140mm)

Door type:

- Timber CS NewYorker CS AluTec FramelessGlass
 Customer Supplied

Door configuration:

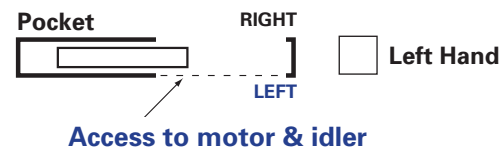
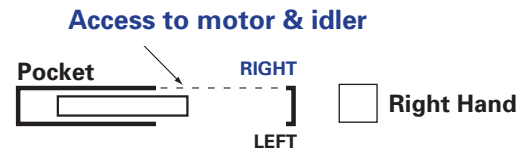
- Single Bi-Parting

Door size / Rough opening (circle one): _____ inches wide X _____ inches high

Clear walk through: _____

Door weight: < 220lb (100kg) Single < 130lb (60kg) Bi-Parting

Door Handing (please tick)



2 Door Function




Normal position: Open Closed Hold open option required? Yes No

The door will open: normally (400mm/sec) 16"/sec quickly (500mm/sec) **and then** 20"/sec

close after ____ (0-10) sec: slowly (100mm/sec) 4"/sec normally (300mm/sec) 12"/sec quickly (500mm/sec) 20"/sec


Safety Beams required: Yes No

Door activation:

PDL SWITCH	OVERHEAD SENSOR	HANDWAVE SENSOR
 <ul style="list-style-type: none"> - PDL switch kit x 2 - Spring return switch x 2 	 <ul style="list-style-type: none"> - Overhead sensors x 2 	 <ul style="list-style-type: none"> - Handwave sensors x 2
Classic light switch style activation allows for discreet placement that can match the style of existing switches	Functional and practical, overhead sensors are a mainstay for many auto door solutions	Contactless microwave sensor. One hand motion in front of the sensor can activate a door opening

60652-US/1 03.2021

www.cavitysliders.com

High quality products designed in New Zealand 

T (888) 466 0030
 F (310) 769 5824
 E info@cavitysliders.com

Cavity Sliders USA Inc.

548 Finney Ct 
 Gardena
 CA 90248

 **CavitySliders™**
 The Pocket Door Experts

AutoCav™ Residential - Confirmation Form

The following information is required before manufacture of your unit can begin.
Please check / fill out as many details as possible and email back to us. **(ONE DOOR PER FORM)**

3 Site Details

Delivery Address _____

Contact _____ Phone _____

Automation Contact _____ Phone _____

Security Contact _____ Phone _____

Electrical Contact _____ Phone _____

Special delivery instructions _____

Access considerations _____

4 Specifications

Motor M005 – Microcomputer control box C005 MODEL M005 (Telescopic)

Power supply	AC 220V ± 10% 3A 50/60Hz AC 120V ± 10% 3A 50/60Hz
Applicable types	ADD-ON DC, CN
Max. door weight	DC type: 220 lb (100kg) for single leaf, 130 lb (60kg) x 2 for bi-parting
Safety function	Safety turn in full speed section Safety stop in slow speed section
Opening speed	Fast - 20"/sec (500mm/sec) / Slow - 16"/sec (400mm/sec) selectable by DIP switch
Closing speed	4" ~20"/sec (100~500mm/sec) is adjustable on controller
Slow close speed	1"/sec (20mm/sec). Speed is fixed after slowing down
Brake position	Automatically set according to door weight
Slow speed distance	Position 0 - 2-3/16" (0-55mm) from close where door speed starts to slow. Position is adjustable on controller
Hold time	Time door is held open. Adjustable between 0~10sec on controller.
Door opening width	Adjustable 10~100% as an extra function (CS supply as 100%, adjustability additional extra).
In power failure	Door can be opened manually by hand under 30N (3kgf, 7lbf) when power is lost. No battery backup available by CS.
Power consumption	Opening & closing: 30W
Max output	20W
Insulation voltage	AC1000 (50Hz) 1 min
Ambient temperature	0~104°F (0~40°C), humidity 25~75% No dew

5 Commissioning

All CS Automatic Units are tested and pre-commissioned at the factory. Any works required of CS after installation, including online or phone support, will be chargeable. For details and a quotation on any commissioning service please contact us.

6 Recommended Service Plan & Warranty

CS AutoCav units should be serviced approximately every 5000 uses. Door usage guidelines are as follows:

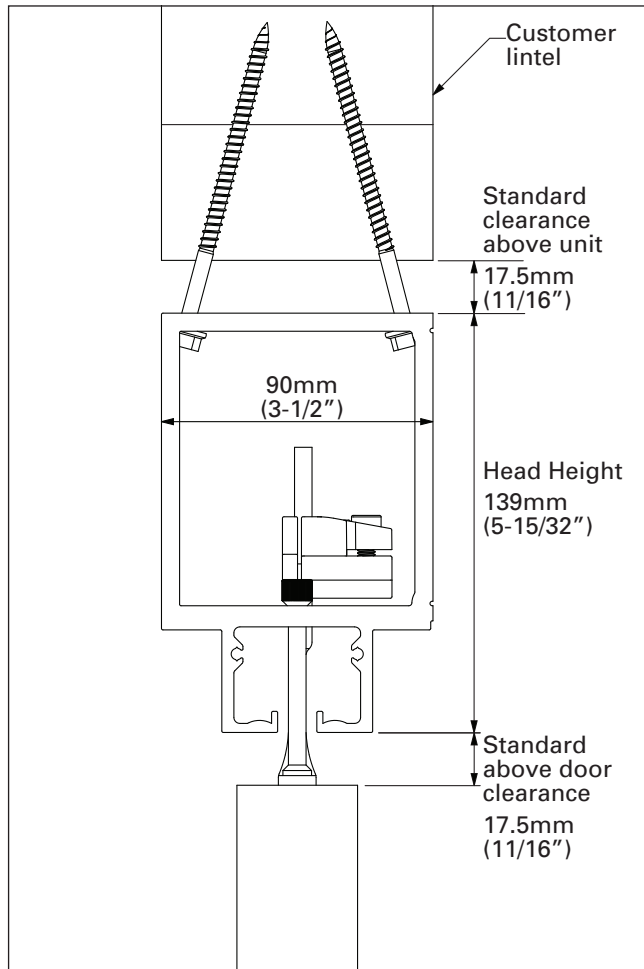
- Low use: Doors are used 10-20 times a day (3500-7000 open cycles per year)
- Moderate use: Doors are used 30-40 times a day (10,000 - 15,000 open cycles per year)
- High use: Doors are used several times an hour or 50-60 times a day (17,500 – 20,000 + open cycles per year)

This automated unit comes as standard with a 2 year warranty (12 mths on electrical components).
Contact Cavity Sliders USA for a copy.

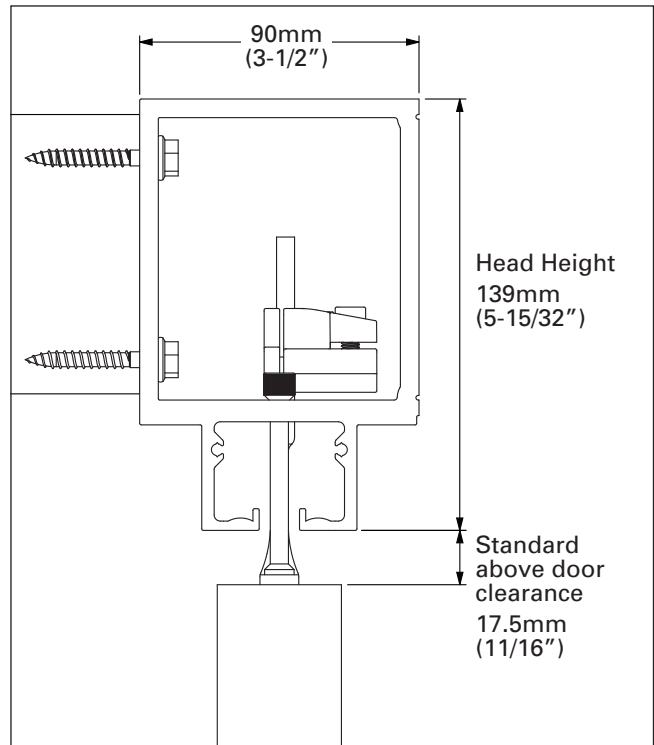
60652-US/2 03.2021

<p>www.cavitysliders.com</p> <p>High quality products designed in New Zealand</p> 	<p>T (888) 466 0030 F (310) 769 5824 E info@cavitysliders.com</p>	<p>Cavity Sliders USA Inc.</p> <p>548 Finney Ct Gardena CA 90248</p> 	 <p>CavitySliders™ The Pocket Door Experts</p>
--	---	--	--

Option 1 - Top Mount



Option 2 - Wall Mount



© All copyright and other property in this document is reserved by Cavity Sliders USA Inc. Details and specifications are subject to change without notice. Whilst all care is taken to ensure the accuracy of all information, no responsibility will be accepted for any errors or omissions. Drawings are not to scale.

60652/3 03.2021

www.cavitysliders.com

High quality products designed in New Zealand



T (888) 466 0030
F (310) 769 5824
E info@cavitysliders.com

Cavity Sliders USA Inc.

548 Finney Ct
Gardena
CA 90248



CavitySliders™
The Pocket Door Experts