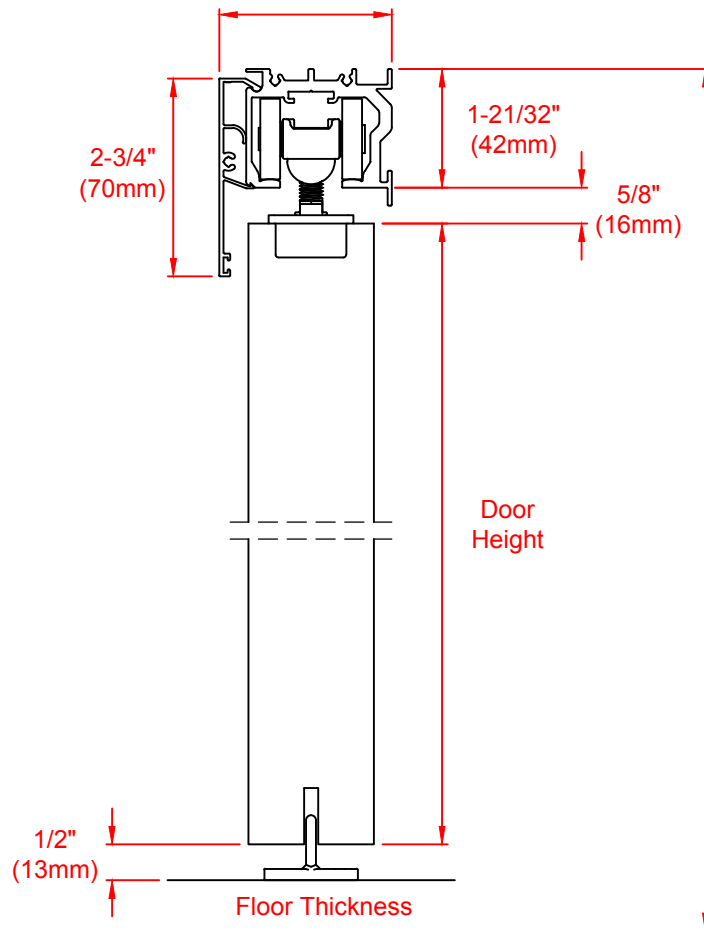


Front Elevation



Door Height = (Rough Opening Height) - (Floor Thickness) - (2-13/16")

Rough Opening Height = (Door Height) + (Floor Thickness) + (2-13/16")

The dimensions shown above are recommended guidelines.
 The final decision on dimensions and clearances is the responsibility of the installer.
 Whilst all care is taken to ensure the accuracy of all information, no
 responsibility will be accepted for any errors or omissions.

Rough
Opening
Height

The information contained in this drawing is the sole property of Cavity Sliders USA Inc. Any reproduction, disclosure or use of this document without the written permission of Cavity Sliders USA Inc. is strictly prohibited.



The Pocket Door Experts

548 Finney Ct, Gardena, CA 90248
 Phone +1 (888) 466 0030
 Fax +1 (310) 769 5824
www.cavitysliders.com