

# CS AutoCav Commercial Mounting Details

## Front Elevation

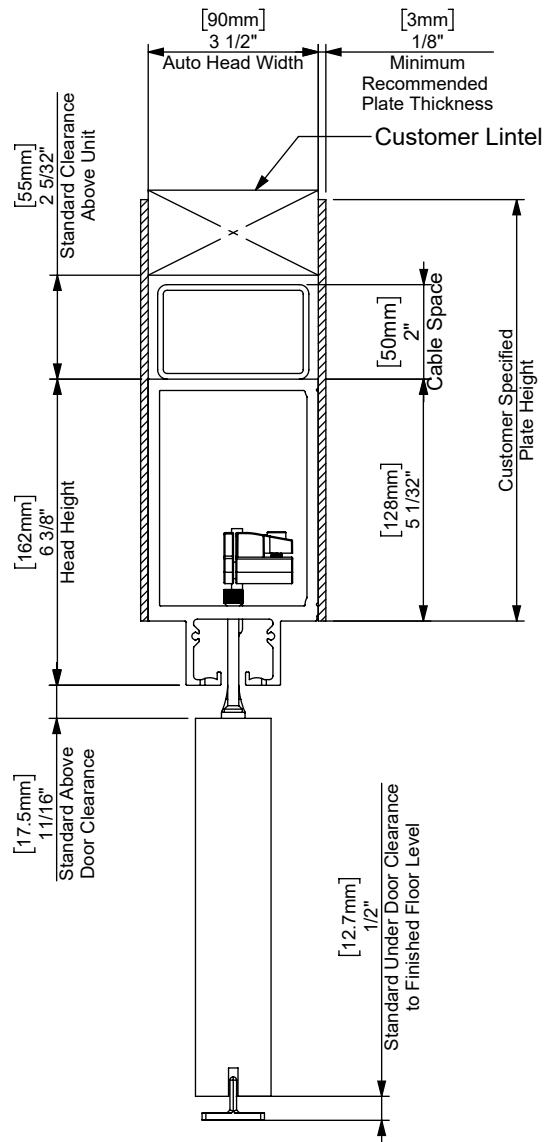
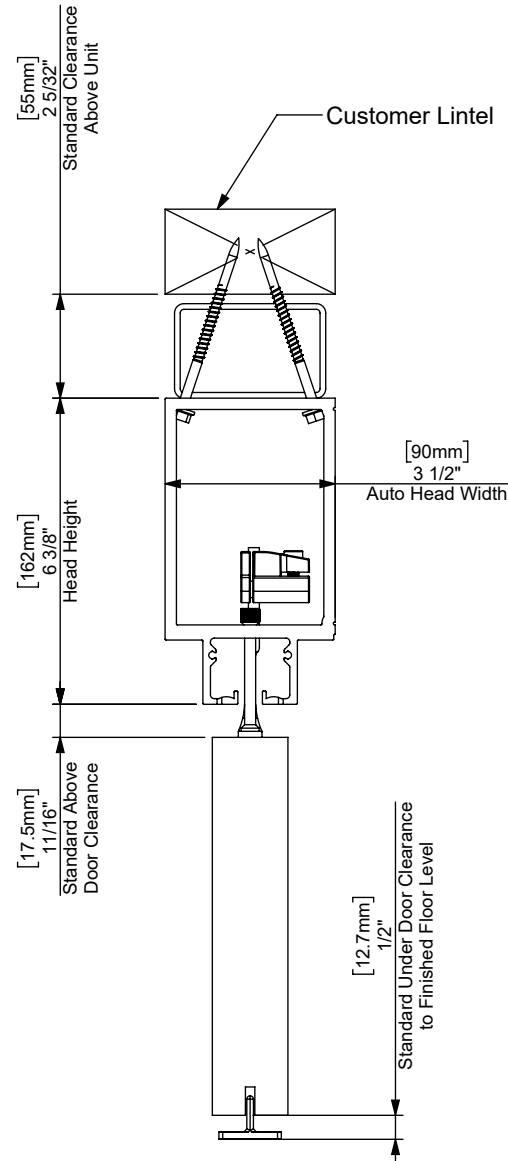
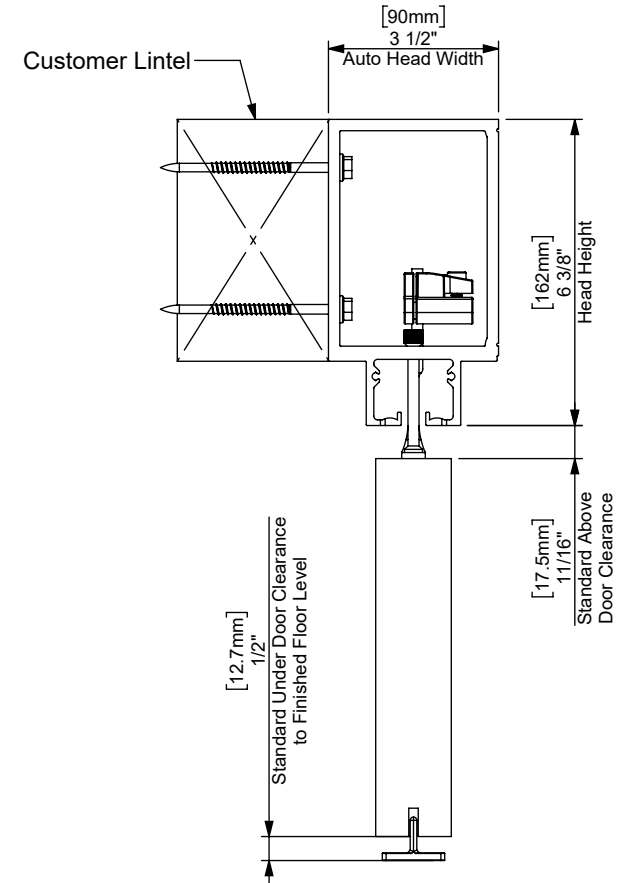



Plate Side Mount



Ceiling Mount



Wall Mount

Part Number <b>ANHEADS</b>		The information contained in this drawing is the sole property of CS For Doors. Any reproduction, disclosure or use of this document, without the written permission of CS For Doors, is strictly prohibited.
Units Measurements in mm		
Scale 1:4	Sheet 1 of 1	 Quality Sliding Door Hardware 548 Finney Ct, Gardena, CA 90248 Phone +1 (888) 466 0030 Fax +1 (310) 769 5824 www.cavitysliders.com
Date 3/12/2021	Rev. A	