

SofStop® Pocket Track

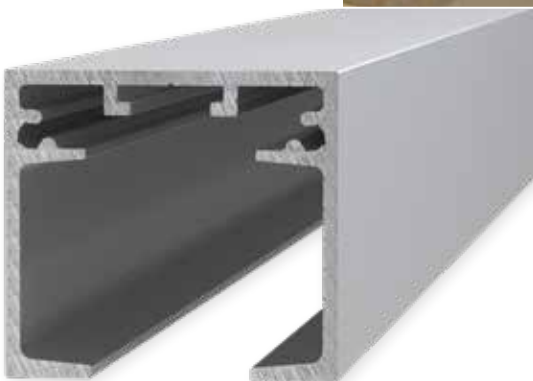
CS TrackSystems are an innovative range of track systems designed for a multitude of sliding doorway applications.

The **CS SofStop** is a smooth running, soft closing system designed specifically for pocket doors. It is suitable for areas where quiet is required, such as bedrooms, offices and patient rooms.

Engineered to stop doors up to 264 lb, the CS SofStop is a must-have wherever quiet and safety are priorities. This system is the ultimate in style and sophistication.



Pocket door with CS SofStop and CL400 Magnetic handle.



CS SofStop Pocket Track.

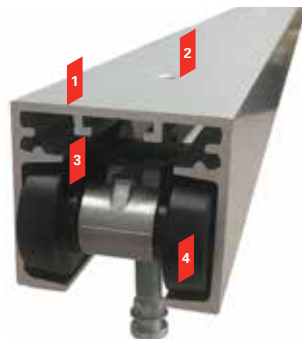
SofStop® Pocket Track

Design Features & Options

- High quality soft close mechanism has been independently tested to 100,000 cycles.
- The soft close mechanism is hidden from sight, yet remains fully serviceable.
- Available in 6', 8' or 12' pre-cut lengths or cut to specified length on request.
- Single or Double action (soft open/soft close) options available.
- SofStop mechanism is engineered to stop doors up to 264 lb. A small amount of force is necessary to open the door.
- Best operating temperature: 10°C to 40°C (50°F to 104°F).

Standard CS Track Features

- 1 Heavy duty one-piece extruded aluminum track.
- 2 Pre-machined mounting holes.
- 3 Minimal clearance means carriages/wheels cannot jump off track or jam.
- 4 Large diameter wheels with precision ground bearings make for smooth running.
- 5 CarriSnap™ quick release system allows the door to be removed easily from track; no need to unscrew anything and lose door height adjustment.



SofStop track & carriage



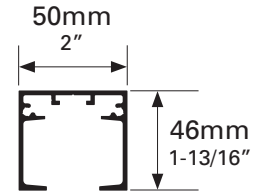
SofStop carriage & mounting plate with stop

How to Order

Refer to Carriage Packs page for more information

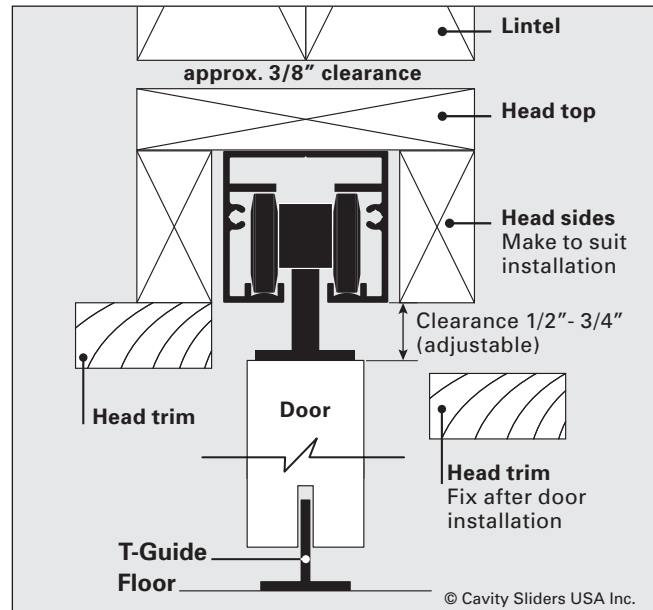
- 1. Specify track length**
Available in 6', 8' and 12' pre-cut lengths or can be cut down to specified length on request.
- 2. Specify door weight** (see options)
- 3. Specify door width**
- 4. Specify Single or Double Action**

Technical Information






- Finish:** Clear anodized
Minimum Door Width: See Door Weight Options
Maximum Door Weight: See Door Weight Options

Suggested Assembly Detail



© Cavity Sliders USA Inc.

Door Weight Options

SofStop® Single Action		Minimum Door Width	
		Single	Bi-Parting
 0 - 176 lb	Soft Close	660mm (26")	740mm (29")
 176 - 264 lb		760mm (30")	810mm (32")
SofStop® Double Action		Minimum Door Width	
		Single	Bi-Parting
 0 - 176 lb	Soft Open + Soft Close	870mm (34")	940mm (37")

© All copyright and other property in this document is reserved by Cavity Sliders USA Inc. Details and specifications are subject to change without notice. Whilst all care is taken to ensure the accuracy of all information, no responsibility will be accepted for any errors or omissions. Drawings are not to scale. CS SofStop™ (O.D. 2011), Patent pending. 60969 - 12.2018

www.cavitysliders.com

High quality products designed in New Zealand



T (888) 466 0030
 F (310) 769 5824
 E info@cavitysliders.com

Cavity Sliders USA Inc.

548 Finney Ct
 Gardena
 CA 90248



 CavitySliders
 The Pocket Door Experts