

HeavyDutyTrack

CS TrackSystems are an innovative range of track systems designed for a multitude of sliding doorway applications.

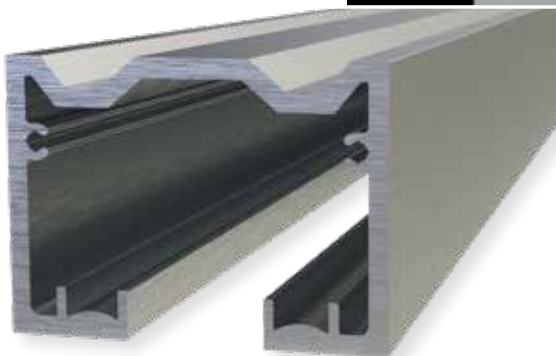
CS HeavyDutyTrack is an ultra heavy duty extruded track system designed to take oversized or heavy doors up to a maximum of 500kg (1100lb).

This track is suitable for a wide range of commercial, industrial and residential applications such as large feature doors (as pictured) or large factory doors.

The track is supplied in a clear (natural) anodized finish, making it suitable for interior or exterior use.

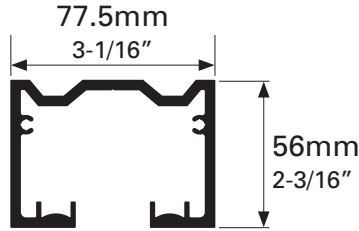


Large feature door hung on CS HeavyDutyTrack.



CS HeavyDuty Track

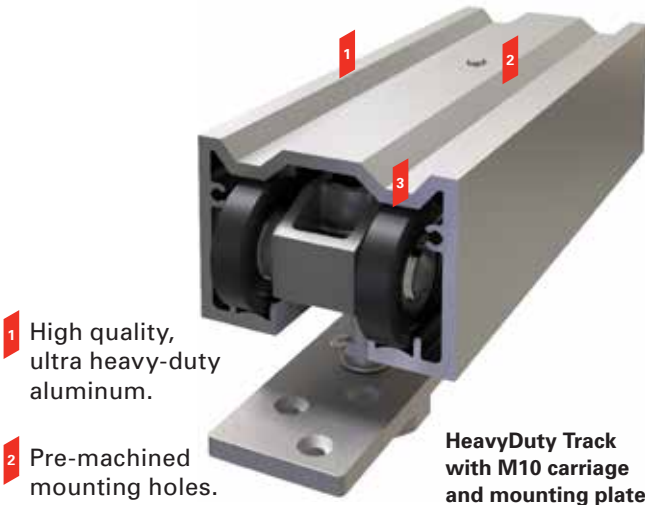
Technical Information



Finish:	Clear anodized	
Max. Door Weight:	500kg	1100lb
Min. Door Thickness:	40mm	1-9/16"
Carriage Pack:	M10 only	

Track & Carriage Features

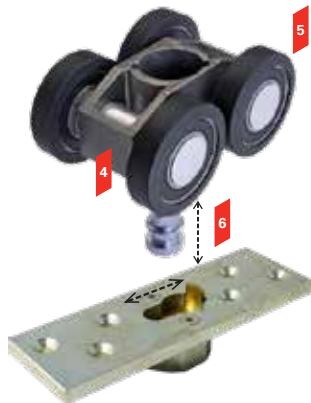
Our engineers focus on constantly developing new products and refining existing ones. That's why our products come with a number of unique features:



- 1 High quality, ultra heavy-duty aluminum.
- 2 Pre-machined mounting holes.
- 3 Minimal clearance means the carriages/wheels cannot jump off the track or jam.

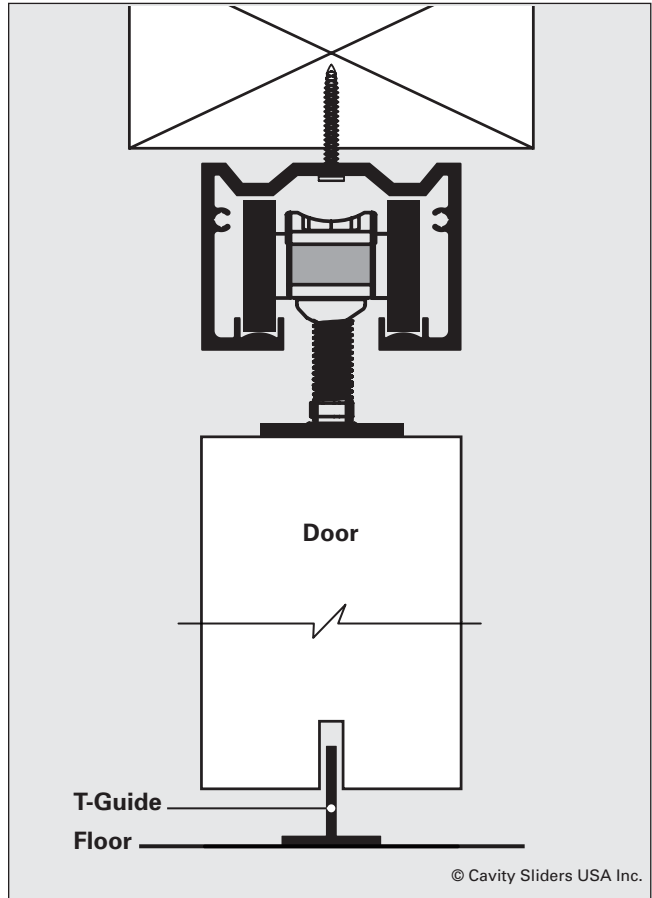
HeavyDuty Track with M10 carriage and mounting plate

- 4 M10 body made from cast stainless steel for strength and reliability.
- 5 Large diameter wheels with precision ground bearings make for smooth running.
- 6 **CarriSnap™** quick release system allows the door to be removed easily from the track.



M10 carriage & mounting plate

Suggested Assembly Detail



How to Order

1. **Specify track length**
(available in lengths up to 28')
2. **Choose an M10 carriage pack** (one per door)
- refer to **Carriage Packs** page

M10 (1100lb)
(includes carriages, mounting plates, T-Guide, fixing screws, adjusting wrench, installation instructions and stops if required)

