

Door Groove Cutter

The router cutter that we use on our own doors is now available for your use. This cutter is custom made to cut a groove slot that suits the CS range of T-Guides.

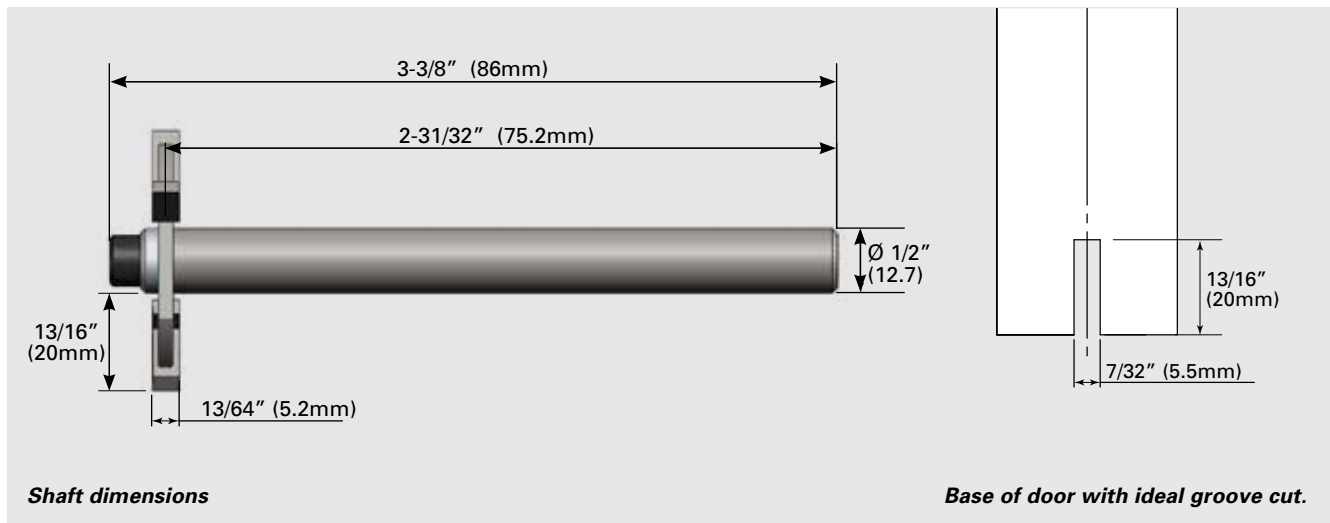


Features

- ▮ Custom made to suit the CS range of T-Guides
- ▮ Cut accurate grooves - quickly and easily

Note: Groove cut dimensions should be checked regularly to make sure cut is to spec. If not, cutters will need to be retipped.

Dimensions



Product Code: ZM00010