

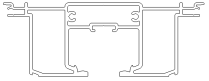



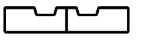
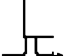

CS Ultimate Cavity Slider Pocket Frame (3'4"x8'0")

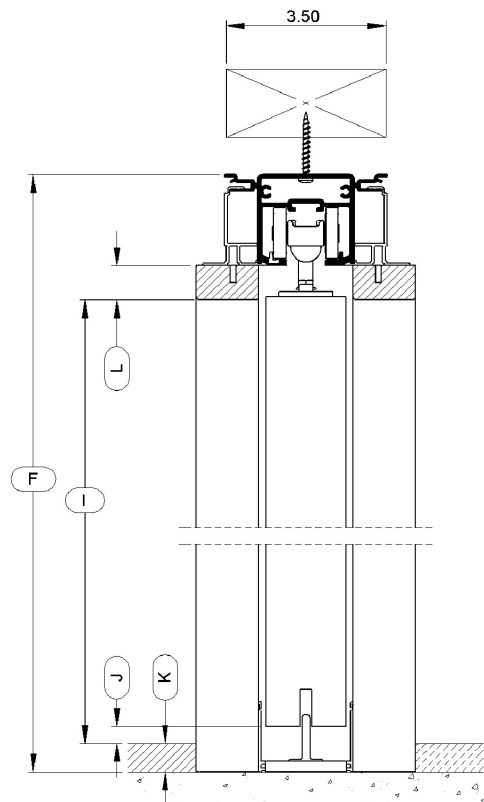
CavitySliders™
The Pocket Door Experts
(888) 466 0030
www.cavitysliders.com

Item: CSU6K3480

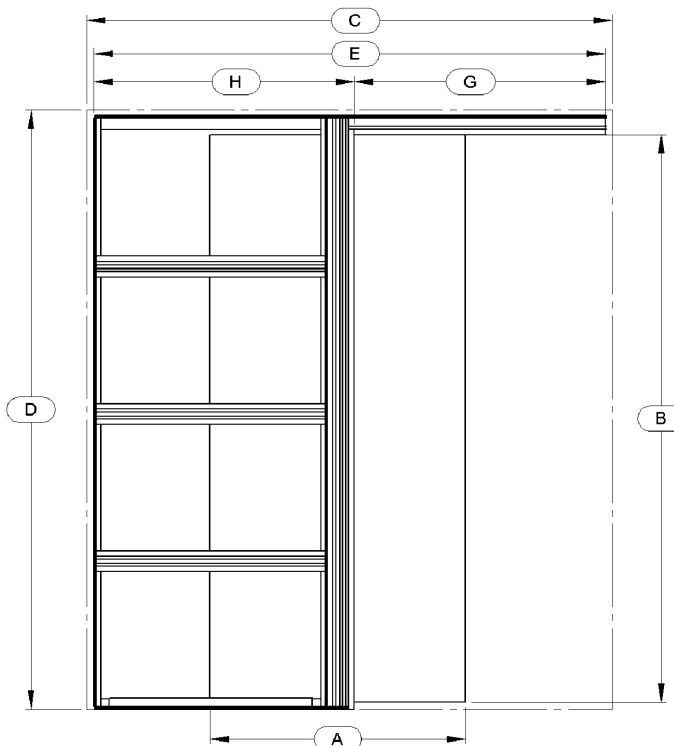
Cavity Slider Single Kit Set to suit a 2x6 (5 1/2") stud

Extrusion Cut Lengths

	Track Length: 80"
	Back Stud Length: 98 15/16"
	Bottom Plate Length: 39 7/8"
	Split Jamb Length: 98 11/16"
	Slat Length: 34 7/16"
	Top Fixing Length: 40 1/8"
	Bottom Fixing Length: 30 15/16"



Details only for 2x4 frame



Front Elevation



A. Door Width:	40"	G. Clear Opening to End of Track:	39 3/8"	K. Floor Thickness:	1/2"
B. Door Height:	96"	H. Pocket Depth:	40 45/64"	L. Jamb Thickness:	3/4"
C. RO Width:	82"	I. Finished Floor to Underside of Head:	96 7/16"	M. Protrusion:	0"
D. RO Height:	100 1/4"	J. Finished Floor Under Door Clearance:	1/2"	Underside of Track to Top of Door Clearance:	11/16"
E. Frame Width:	80 5/64"				
F. Frame Height:	99 11/16"				