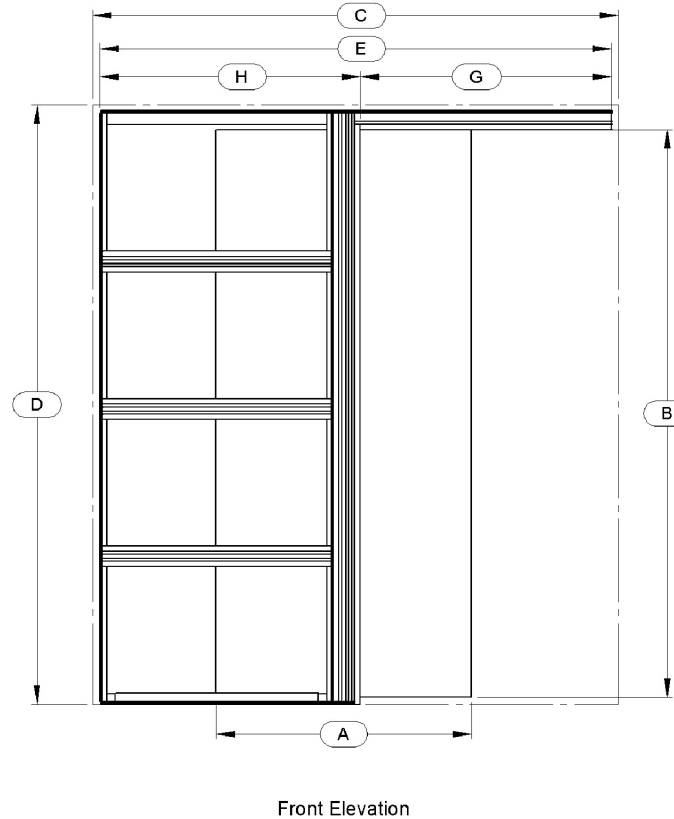
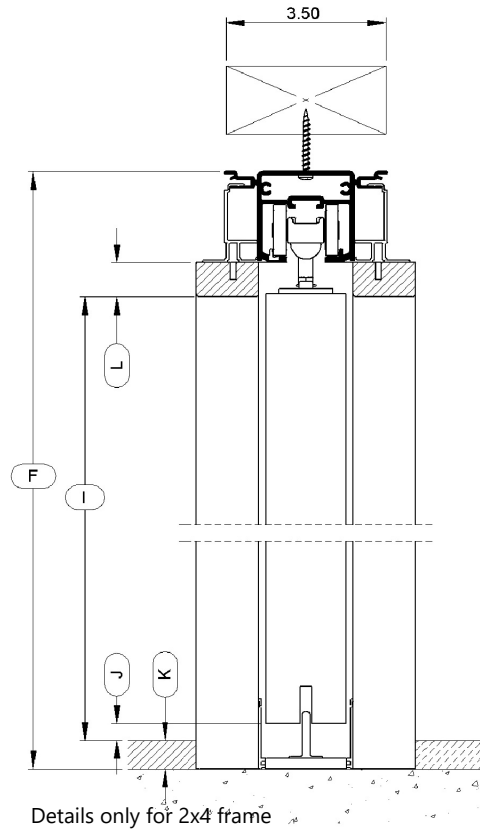


CS Ultimate Cavity Slider Pocket Frame (2'6"x7'6")

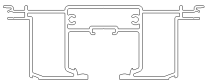


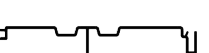
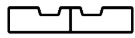
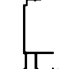

CavitySliders™
The Pocket Door Experts
(888) 466 0030
www.cavitysliders.com

Item: CSU62676

Cavity Slider Single Kit Set to suit a 2x6 (5 1/2") stud



Extrusion Cut Lengths

	Track Length: 60"
	Back Stud Length: 92 15/16"
	Bottom Plate Length: 29 7/8"
	Split Jamb Length: 92 11/16"
	Slat Length: 24 7/16"
	Top Fixing Length: 30 1/8"
	Bottom Fixing Length: 20 15/16"



A. Door Width:	30"	G. Clear Opening to End of Track:	29 3/8"	K. Floor Thickness:	1/2"
B. Door Height:	90"	H. Pocket Depth:	30 45/64"	L. Jamb Thickness:	3/4"
C. RO Width:	62"	I. Finished Floor to Underside of Head:	90 7/16"	M. Protrusion:	0"
D. RO Height:	94 1/4"	J. Finished Floor Under Door Clearance:	1/2"	Underside of Track to Top of Door Clearance:	11/16"
E. Frame Width:	60 5/64"				
F. Frame Height:	93 11/16"				