

CL400[®] ADA Magnetic

The new **CL400[®] ADA Magnetic** matches the look and functionality of the existing CL400 Magnetic range of pocket door hardware, with added ADA functionality.

Utilizing the patented magnetic mechanism of the CL400 Magnetic, this new addition to the range provides flexibility for building owners. The CL400 ADA uses the same door cutout and striker and is able to be retrofitted over existing CL400 flush handles for the requirements of ADA tenants.

The CL400 ADA is compatible with egress applications.



ADA



CaviLock CL400 ADA Privacy with Emergency Release

CL400 ADA Privacy Snib in satin chrome finish.

 **CaviLock[®]**
Quality Sliding Door Hardware

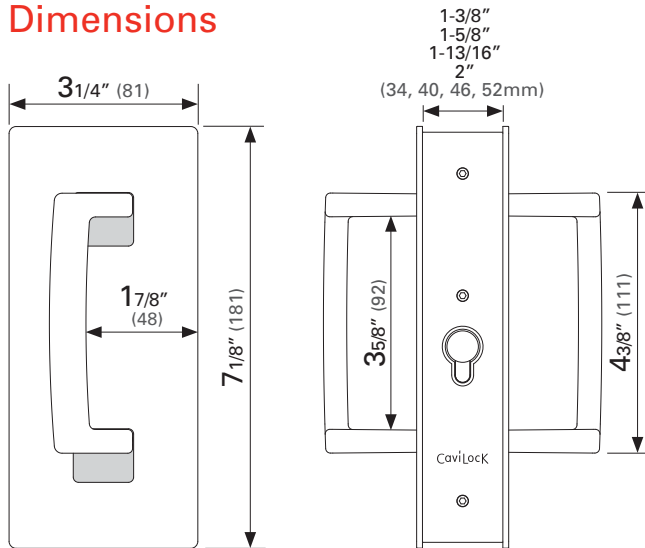
In line with ADA Standards for Accessible Design, the CL400 ADA Magnetic has a handle that is easy to grasp with one hand and does not require tight grasping, tight pinching or twisting of the wrist.

The opening force required to operate the unit is 2.5lbf (11.1N), which is under the 5lbf threshold for ADA compliance.

Design Features & Options

- Easy to use - no tight pinching or twisting of the wrist.
- Patented magnetic functionality.
- Striker sits flush with closing jamb.
- See at a glance whether a room is occupied.
- Matches other hardware in the CL400 range.

Dimensions



Finish Options

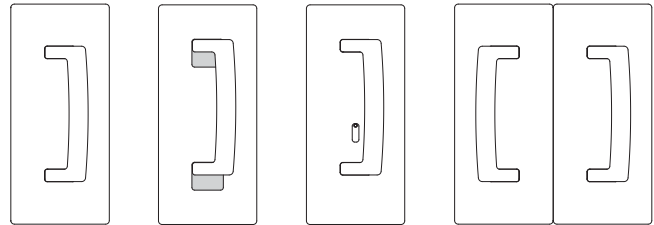


Chrome Satin Chrome Oil Rubbed Bronze Satin Nickel

Other finish options available on request.

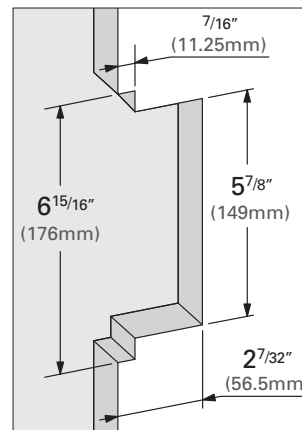
(Note: Longer lead times and additional surcharges may apply.)

Configuration Options



Passage Privacy Emergency Release Bi-Parting (Passage or Privacy)

Door Cutout

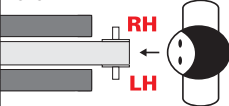
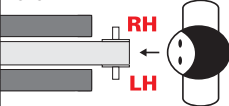
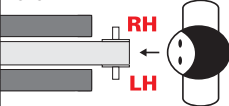


IMPORTANT: Operable parts of hardware must be mounted 34" (865mm) min. and 48" (1220 mm) max. above finished floor to meet ADA guidelines.

The clear width of the door opening must be a minimum of 32". Always check State and Federal guidelines relating to the specific project.

Selection Procedure

To order, ensure you have the following information ready:

Function	Finish	Door thickness	Handing Configuration										
Single Door	Bright Chrome	1-3/8" to 1-9/16"	Handing must be determined at time of manufacture and cannot be altered on site. Careful selection of handing options is required at time of order. See diagram for determining handing of functions.										
Bi-Parting Door	Satin Chrome	1-5/8" to 1-3/4"											
Passage (Non Latching)	ORB	1-13/16" to 2"	<table border="0"> <tr> <td>LH</td> <td>RH</td> <td rowspan="3">Stand looking into the pocket as shown </td> </tr> <tr> <td>Blank</td> <td>Blank</td> </tr> <tr> <td>Snib</td> <td>Snib</td> </tr> <tr> <td>Emerg.</td> <td>Emerg.</td> <td></td> </tr> </table>	LH	RH	Stand looking into the pocket as shown 	Blank	Blank	Snib	Snib	Emerg.	Emerg.	
LH	RH	Stand looking into the pocket as shown 											
Blank	Blank												
Snib	Snib												
Emerg.	Emerg.												
Passage (Mag Latching)	Satin Nickel	2-1/16" to 2-1/4"											
Privacy Locking	Special Order												

Drawings & pictures are not to scale. Colors shown may not accurately represent product All dimensions in inches (and mm).

www.cavitysliders.com

High quality products designed in New Zealand



T (888) 466 0030
F (310) 769 5824
E info@cavitysliders.com

Cavity Sliders USA Inc.

548 Finney Ct
Gardena
CA 90248



 **CavitySliders**
The Pocket Door Experts

BarnDoorStrike

The **CaviLock Barn Door Strike** makes the CL400 Magnetic range of sliding door hardware compatible for barn door applications.

It is available for use with CL400 Magnetic Passage, Privacy and Key Locking configurations and CL400 ADA Passage and Privacy handles.



ADA



CaviLock Barn Door Strike with CL400 ADA Magnetic handle.



CaviLock Barn Door Strike with CL400 Magnetic Privacy handle.

 **CaviLock**[®]
Quality Sliding Door Hardware

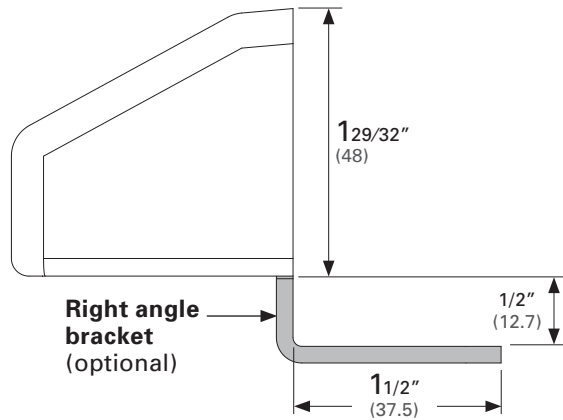
Design Features & Options

- ▮ Suitable for doors 1-3/8" or 1-3/4" thick.
- ▮ ADA compliant with the use of the CL400 ADA handle.
- ▮ Easy to install.
- ▮ Available in a range of finishes.
- ▮ Suitable for use with CL400 Passage, Privacy and Key Locking handles.

Dimensions

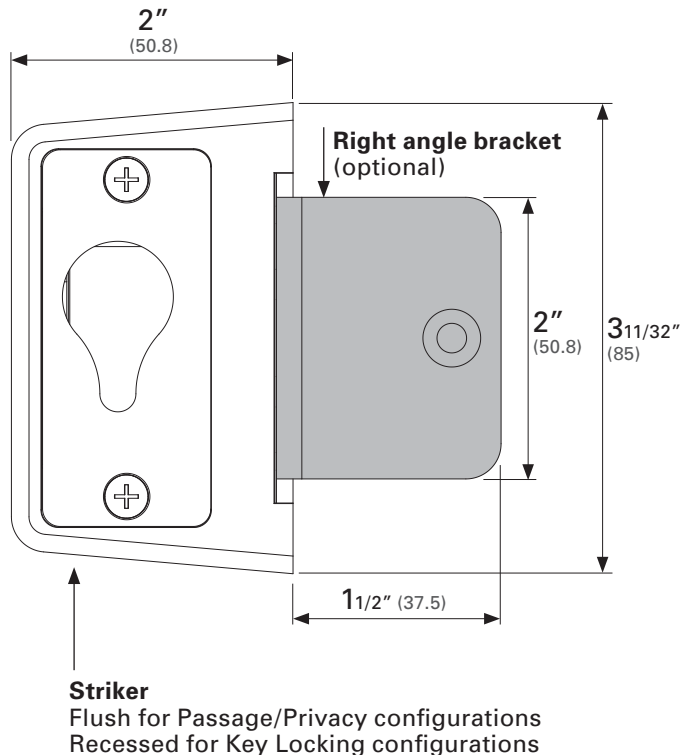
A hidden bracket is supplied as standard.

A right angle bracket can be ordered where additional fixing strength is required, e.g. heavy commercial use.



Product Codes & Finish Options

	Finish	Barn Door Strike	Right Angle Bracket
	Bright Chrome	CL400SA0025	CL400BA0025
	Satin Chrome	CL400SA0125	CL400BA0125
	Oil Rubbed Bronze	CL400SA0225	CL400BA0225
	Satin Nickel	CL400SA0325	CL400BA0325
	Matte Black	CL400SA0425	CL400BA0425
	Paint Primed White	CL400SA0725	CL400BA0725



Drawings & pictures are not to scale. Colors shown may not accurately represent product All dimensions in inches (and mm).

www.cavitysliders.com

High quality products designed in New Zealand



T (888) 466 0030
F (310) 769 5824
E info@cavitysliders.com

Cavity Sliders USA Inc.

548 Finney Ct
Gardena
CA 90248



Another quality product from:

 **CavitySliders**
Quality Sliding Door Hardware