

# CL200 Range

The **CL200** is a durable range of sliding door hardware suitable for residential, commercial, and hospitality applications.

Privacy handles incorporate a patented magnetic latching system\*, ensuring a smooth locking action. This handle is not handed.

Two face plate widths are available. Handles can be adjusted to suit doors from 1-3/8" to 1-1/2" or 1-5/8" to 1-3/4" thick.

\*Patent pending



*CaviLock CL200 Passage handle*

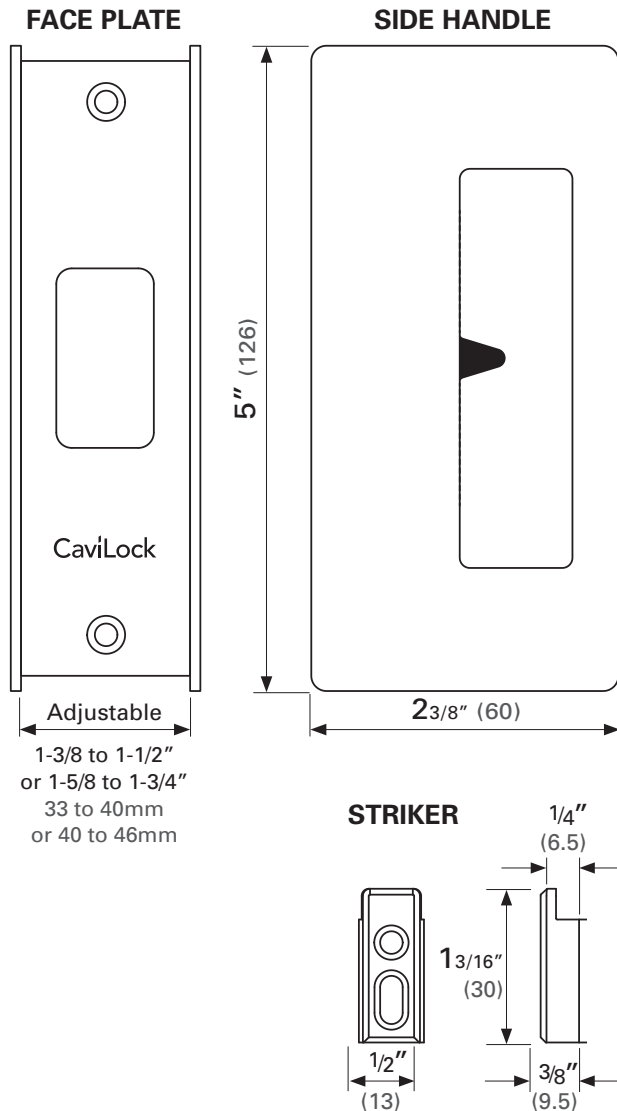


*CaviLock CL200 Privacy handle*

 **CaviLock**<sup>®</sup>  
Quality Sliding Door Hardware

# CL200 Range

## Dimensions



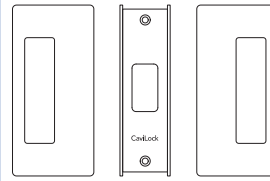
## Features

- Passage, Privacy and Bi-Parting options are available in a range of finishes.
- Suitable for use on timber or aluminum doors.
- Integrated snib button allows more space in the side pull.
- Handles are not handed.
- Large finger pull has more depth for greater purchase.
- Simple installation with easy to follow instructions.

## Configurations

### CL205 A - Passage (non-latching)

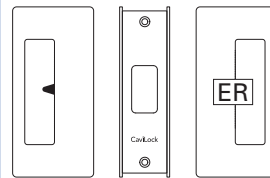
**Non-magnetic**



Passage handles are suitable for situations where locking or latching is not required. These handles do not have a striker or magnet.

### CL205 D - Privacy Snib/Emergency

**Magnetic Latch**

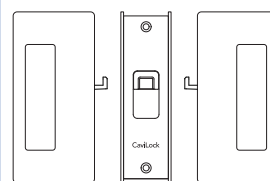


Privacy handles have a discreet triangular shaped snib button on one side and Emergency Release on the other side. They are suitable for sliding doors where latching is required.



### CL205 C - Bi-Parting Mate (to latch with Privacy)

**Magnetic Latch**



The Bi-Parting mate includes a striker on the face plate to enable it to magnetically latch with a privacy handle.

For Bi-Parting passage doors, order two single passage handles.

## Finish Options



Satin Chrome    Bright Chrome    Satin Nickel    Oil Rubbed Bronze    Matte Black

Non-standard finishes are available on request. Longer lead times and surcharges will apply.

Drawings & pictures are not to scale. Colors shown may not accurately represent product All dimensions in inches (and mm).

[www.cavitysliders.com](http://www.cavitysliders.com)

High quality products designed in New Zealand



T (888) 466 0030  
F (310) 769 5824  
E [info@cavitysliders.com](mailto:info@cavitysliders.com)

Cavity Sliders USA Inc.

548 Finney Ct  
Gardena  
CA 90248



**CavitySliders™**  
The Pocket Door Experts