

CL100 ADA Indicator Lock

The **CL100 ADA Indicator Lock** is a disabled access lockset designed with ease of use and longevity of service in mind. Brass and stainless steel working components ensure reliability.

The Indicator Lock is self-latching and utilizes 'fail safe' single action egress functionality.

The Indicator Lock is supplied as a complete set including CL100 Mortise Lock Case, Lever Handles, Stainless Steel Indication Plates and Slide Locking Buttons including Emergency Release.



ADA



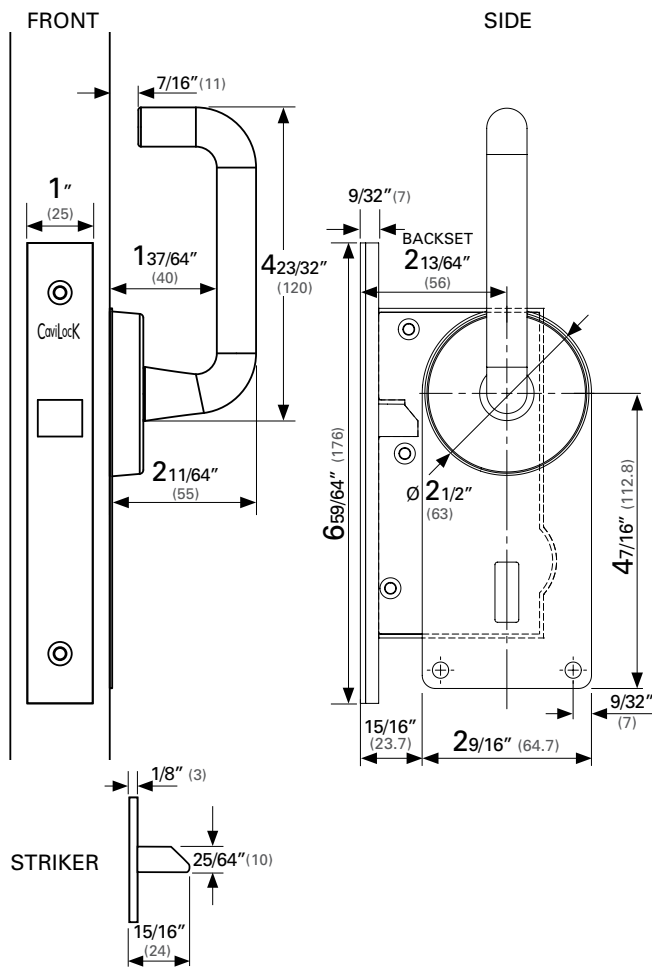
CaviLock CL100 ADA Indicator Lock - Inside door face



CaviLock CL100 ADA Indicator Lock - Outside door face

 **CaviLock**[®]
Quality Sliding Door Hardware

Dimensions

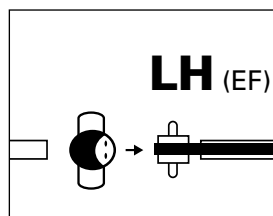


In line with ADA Standards for Accessible Design, the CL100 Indicator Lock has a lever that is easy to grasp with one hand and does not require tight grasping, tight pinching or twisting of the wrist. The opening force required to operate the unit is less than 5 lbf (22.2N), which is under the threshold for ADA compliance.

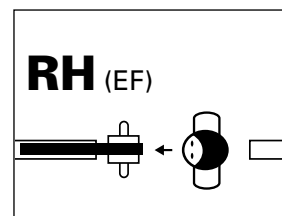
IMPORTANT: Operable parts of hardware must be mounted 34" (865mm) min. and 48" (1220 mm) max. above finished floor to meet ADA guidelines. The clear width of the door opening must be a minimum of 32". Always check State and Federal guidelines relating to the specific project.

Handing

The CL100 Indicator Lock is handed and handing must be specified at time of order.



When standing looking into the pocket, if the locking snib is on your **left hand** side then the **Indicator Lock** is a Left Hand lock.



When standing looking into the pocket, if the locking snib is on your **right hand** side then the **Indicator Lock** is a Right Hand lock.

EF = Egress Free - Even when in locked position the handle on the **inside** remains unlocked.

Construction

Case:	Die cast Zinc
Internal Parts:	Bronze/Brass
Screws, springs etc:	Stainless Steel
Faceplate & striker:	Brushed Stainless Steel

Finish Options & Configurations

Available in Satin Chrome. The CL100 ADA Indicator Lock is handed. Please check the Handing diagram above before ordering.

CL100B3015	ADA Indicator Lock - Right Hand
CL100B3016	ADA Indicator Lock - Left Hand

If Indicator Lock is to be installed into areas where there is exposure to corrosive environments, e.g. high chlorine or salt concentration, contact us for an appropriate solution.

Drawings & pictures are not to scale. All dimensions in inches (and mm).

CL100 Mortise Lock Features

The **CL100 Mortise Lock** is a versatile mortise that has many different internal and external hardware options. The internal components have been built to resist corrosion, making it suitable for both internal and external use in commercial, architectural and residential applications.



- ▀ Slimline mortise is compatible with doors 1-3/8" or thicker.
- ▀ Suitable for pocket doors and surface sliding doors
- ▀ Easy to operate
- ▀ Corrosion resistant
- ▀ For use with wooden or aluminum doors

www.cavitysliders.com

High quality products designed in New Zealand



T (888) 466 0030
F (310) 769 5824
E info@cavitysliders.com

Cavity Sliders USA Inc.

548 Finney Ct
Gardena
CA 90248



Another quality product from:

 **CavitySliders**
Quality Sliding Door Hardware